

主要技术参数 MAIN TECHNICAL DATA

型号 Type	MGCZ70X20X2	MGCZ60X20X2B	MGCZ40X20X2D
处理量 Output(t/h)	粳糙米12-16; 籼糙米10-14	6-7.5	4.5-6
筛板尺寸 Separator plate size(mm)	700X1600	600X1600	400X1300
配备动力 Power(kw)	5.5 (4极)	4 (4极)	2.2 (4极)
转速 Rotary speed(rpm)	295-305	300±5	300±5
吸风量 Air volume(m³/min)	2.4-3X2	2-2.5X2	2-2.5X2
机重 Weight(kg)	2260	1540	1160
外形尺寸 Dimension(mm)	2830X2234X2434	2630X2158X2434	2228X1844X2309

产品技术参数如有变更恕不另行通知 If technologic data has been changed without further information



永祥致力于为用户提供高性价比的国际化产品



MGCZ70X20X2  
MGCZ60X20X2B  
MGCZ40X20X2D

双体重力谷糙分离机  
PADDY SEPARATOR



专利产品：专利号 ZL2015205439833

通过ISO9001国际标准质量体系认证 ISO 9001-2008 Certified

E-mail: yongxiangmiji@sohu.com http://www.hbyxlj.com

地址：湖北省安陆市府河大道2号

ADD: 2 FUHE AVE., ANLU CITY, HUBEI, CHINA

电话(TEL): 0712-5254443 5254445 5258762 传真(FAX): 0712-5254443 邮编(POSTCODE): 432600

湖北永祥粮食机械股份有限公司

HUBEI YONGXIANG FOOD PROCESSING MACHINE CO.,LTD.

## 用途简介 USE INTRODUCTION

- MGCZ系列双体重力谷糙分离机是永祥根据国内稻米原料实际情况，结合多年生产重力谷糙分离机经验研发的新型谷糙分离设备。该机主要利用稻谷与糙米的比重不同，通过往复摇动特殊筛板，使稻谷与糙米的混合物分离为稻谷和糙米，本机具有分离能力强、保养维护简单等特点，能够大幅提高碾米工艺的整米获得率，提升碾米企业的经济效益，是碾米加工过程中的关键设备之一。
- MGCZ series paddy separator is newly designed and manufactured according to the actual situation of domestic paddy, combined with years of experience of producing paddy separator. Brown rice can be separated from the mixture of paddy and brown rice by different specific gravity, through special reciprocating sieve. It has strong separation ability, easy maintenance, greatly improving the gain of whole rice, enhancing the economic efficiency. It is one of the key equipments in rice milling process.



稻谷  
PADDY



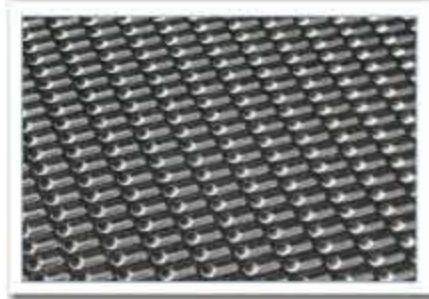
谷糙混合物  
MIXTURE



糙米  
BROWN RICE



进料料位器  
Incoming material level editor



定制专用筛板  
Customized special sieve plate



特制平台机架 (专利技术)  
Special platform frame (patent technology)

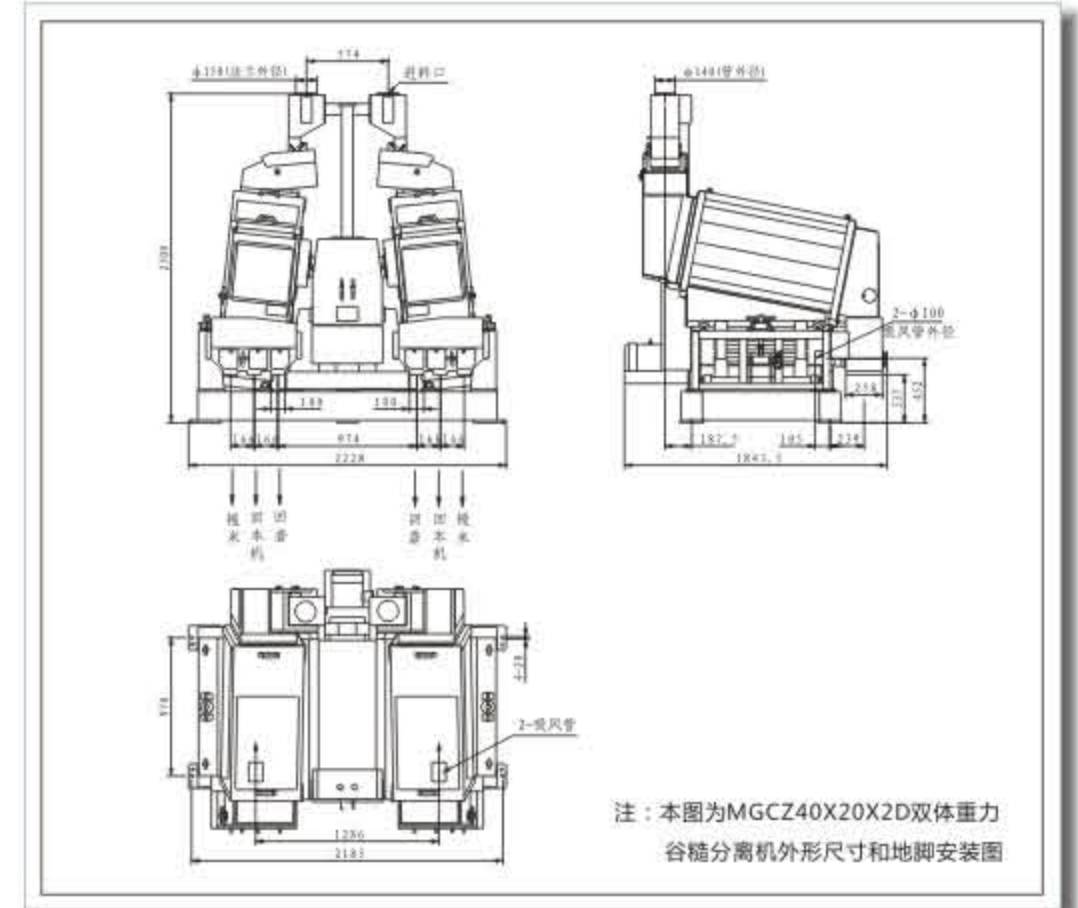


简单方便的支承座润滑  
Simple and convenient bearing lubrication

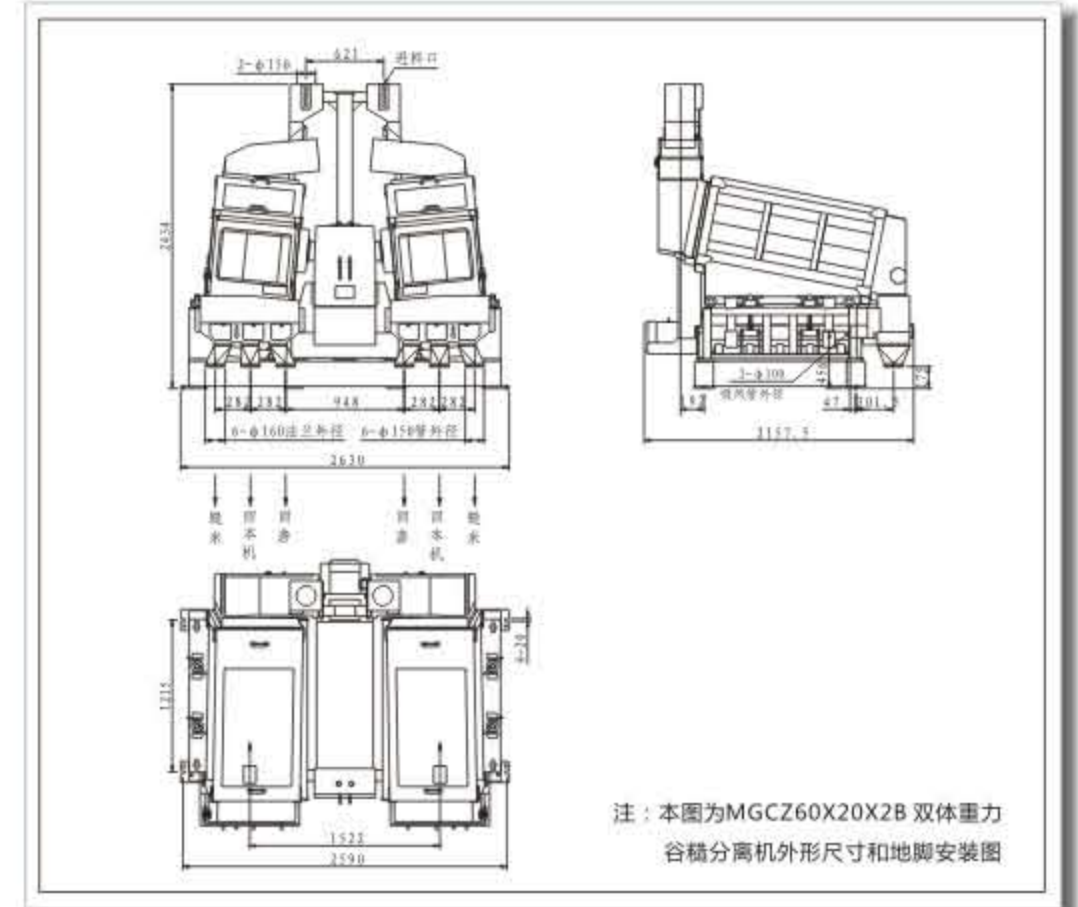
## 产品特点 FEATURES

- 特制平台机架，获得国家专利，结构紧凑刚性良好，坚固耐用，保证左右分离箱稳定运行。
- 双分离箱平衡一致性好，运行平稳、性能可靠。
- 特殊工艺制作专用筛板，分离效果好，适用物料范围广；单位筛理面积大，产量高。
- 设有自动停机装置，自动化程度高，操作方便简单。
- 关键零部件采用国际名牌顶级配置，经久耐用。
- Specially platform frame, national patent technology, compact structure rigidity, strong resistance to ensure a stable running around separation box.
- Double separation box balance good consistency, smooth operation, reliable in performance.
- Screen made by special process, good separation effect, wide application range. Large capacity per unit area, high output.
- With automatic stop device, high degree of automation, easy operation and reliable.
- Adopting international famous brand key parts, durable.

## MGCZ40X20X2D PADDY SEPARATOR



注：本图为MGCZ40X20X2D双体重力谷糙分离机外形尺寸和地脚安装图



注：本图为MGCZ60X20X2B双体重力谷糙分离机外形尺寸和地脚安装图