

## TCQZ系列锥筒初清筛

TCQZ系列锥筒初清筛，主要承担清理原粮中的各种大杂和轻杂，如：灰尘、砖石泥块、草杆麻绳、木片纸屑等,以保证物料的品质，避免机器设备发生故障或损坏，广泛应用于粮食加工企业及仓储企业的预清理。该机筛筒为锥形体，围绕轴心旋转，原料由筛筒小端进口进入筛筒内，依重力向大端位移,大杂流向出杂口，谷物则穿过筛孔经出料口排出机外。

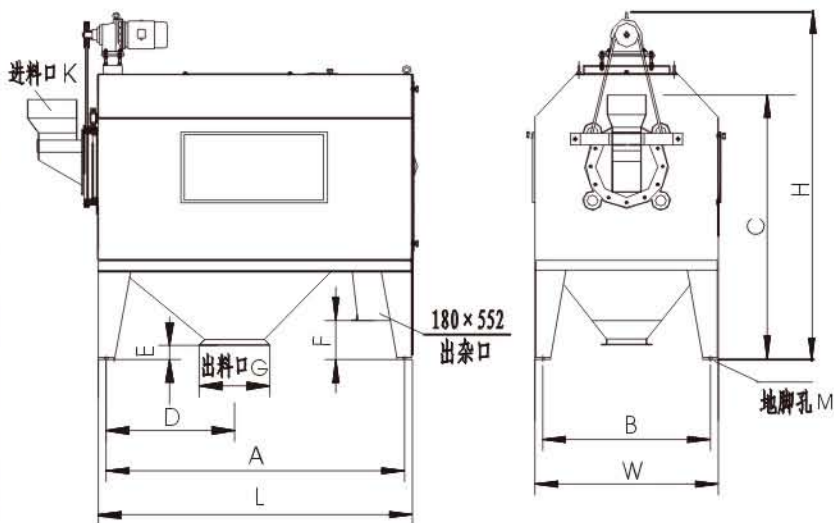
### 特点

- 结构简单、运转平稳、噪音低；
- 无心轴传动，性能好，传动功率小能耗低；
- 产量大，对不同种类的谷物适应性强

TCQZ series cone scalpers are designed to clean raw material in rice milling plants and storage enterprises, mainly removing the large and light impurities such as dust, hemptwist, clods, fragments of a brick and stone so as to ensure the quality of material and prevent the equipment from be damaged or fault. With application of cone sieve moving around axle centre, raw materials enter the sieve from small end and move toward big end by gravity. Big impurities flow to their outlet, while paddy pass through the sieve and discharge from theiroutlet.

### Feature

- Simple construction, stable running, low noise
- Good performance, small driving power, low power consumption due to drive without spindle
- Big capacity ,good applicability to gifferent kind of paddy



型号	L	W	H	A	B	C	D	E	F	G	K	M
TCQZ100X55	2223	1297	2454	2107	1187	1868	905	100	276	500X360	326X367	4-φ22
TCQZ70X40	1610	940	1783	1530	860	1354	800	72	200	310X225	345X276	4-φ18

(外形尺寸与地脚安装图)

## 主要技术参数

型号Type	TCQZ100X55	TCQZ70X40
处理量Output ( t/h )	10-50	6-10
主机动力Power ( kW)	1.5	0.5
风量Air volume ( m <sup>3</sup> /H )	1000	1000
机重Weight ( kg )	740	400

### 通过ISO9001国际标准质量体系认证

E-mail: yongxiangmiji@sohu.com http://www.hbyxlj.com

地址：湖北省安陆市府河大道8号

ADD: 8 FUHE AVE.ANLU CITY,HUBEI,CHINA

电话(TEL): 0712-5254443 5254445 5258762 传真(FAX):0712-5254443 邮编(POSTCODE): 432600